

## GM 751.P – Data Sheet

Clamping force	30 kN
Product volumes	0–1,5 l
Shuttle stroke	250 mm
<b>Extruder information</b>	<b>Single station machine</b>
Screw diameter	32 mm
Extruder drive output	7,5 kW
Extruder output HD-PE	14 kg/h
<b>Drive</b>	<b>pneumatic</b>
Mould closing	pneumatic
Carriage movement	pneumatic
Blow pin movement	pneumatic
Parison cutter	pneumatic
Deflashing	pneumatic
Extruder bobbing	pneumatic
Wall thickness control	electric
<b>Dimensions</b>	
Width	1 200 mm
Length	2 400 mm
Height	2 400 mm
Weight	1 000 kg

### Standard machine features

- machine design based on over 30 years of experience
- automatic extruder revolution control for precise cycle stability and product quality
- optical sensor of parison length allows direct mould closing for exact position of the parison in the mould
- timer machine mode allows automatic run of the machine, regardless of parison length
- interruption of the automatic machine run causes stop of the extruder and starts the alarm
- the machine is equipped with total cycle counter and daily counter with reset option
- machine is equipped with storage for multiple product data recipes
- every machine is custom made according to customers requirements

### Optional features for extra cost

- electric parison 100 point wall thickness control with high precision
- PID temperature controlled feeding zone for steady extruder output
- leak testing unit, which secures output of precise product only
- remote checking of the machine by modem, NET or GSM connection is possible

### Main components

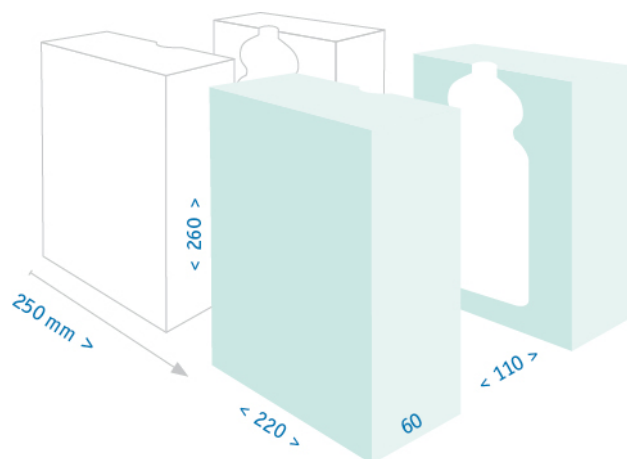
SMC, EXLAR, NORD, SANKYO Oilless Industry, Ziehl – Abegg, Wittmann, OMRON, JUMO, Dynisco, Eaton, Murr...

Mould dimensions	2 Cavities	3 Cavities	4 Cavities	5 Cavities
Standard center distance	90 mm	70 mm	-	-

# GM 750

## Extrusion blow moulding machines

GDK spol. s r.o., Czech Republic, 362 14 Kolová 181  
tel. / fax +420 353 331 391, www.gdk.cz



**GDK** Custom Made!